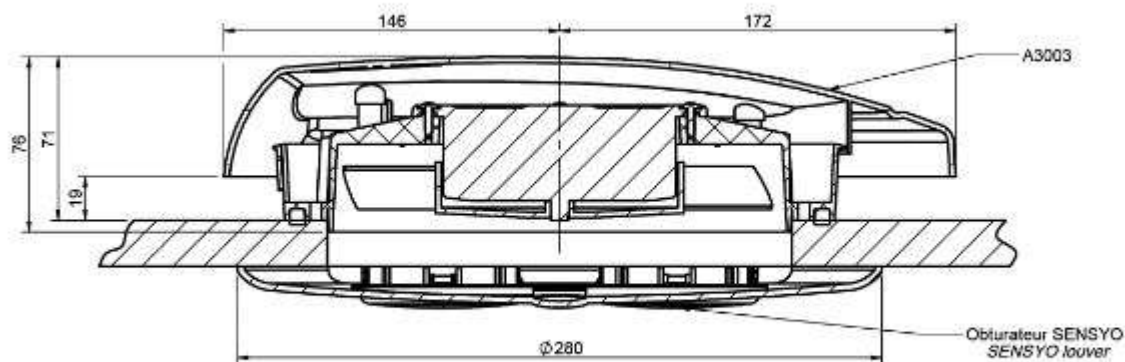


A 3003

- 1 - Device description
- 2 - Operation
- 3 - Mounting information
- 4 - Trouble shooting
- 5 - Security advice



TDJ Andersen

Sdr. Savstrupvej 22-24

DK-7500 Holstebro

9746 8222 - 4010 3084

tdj@tdj.dk

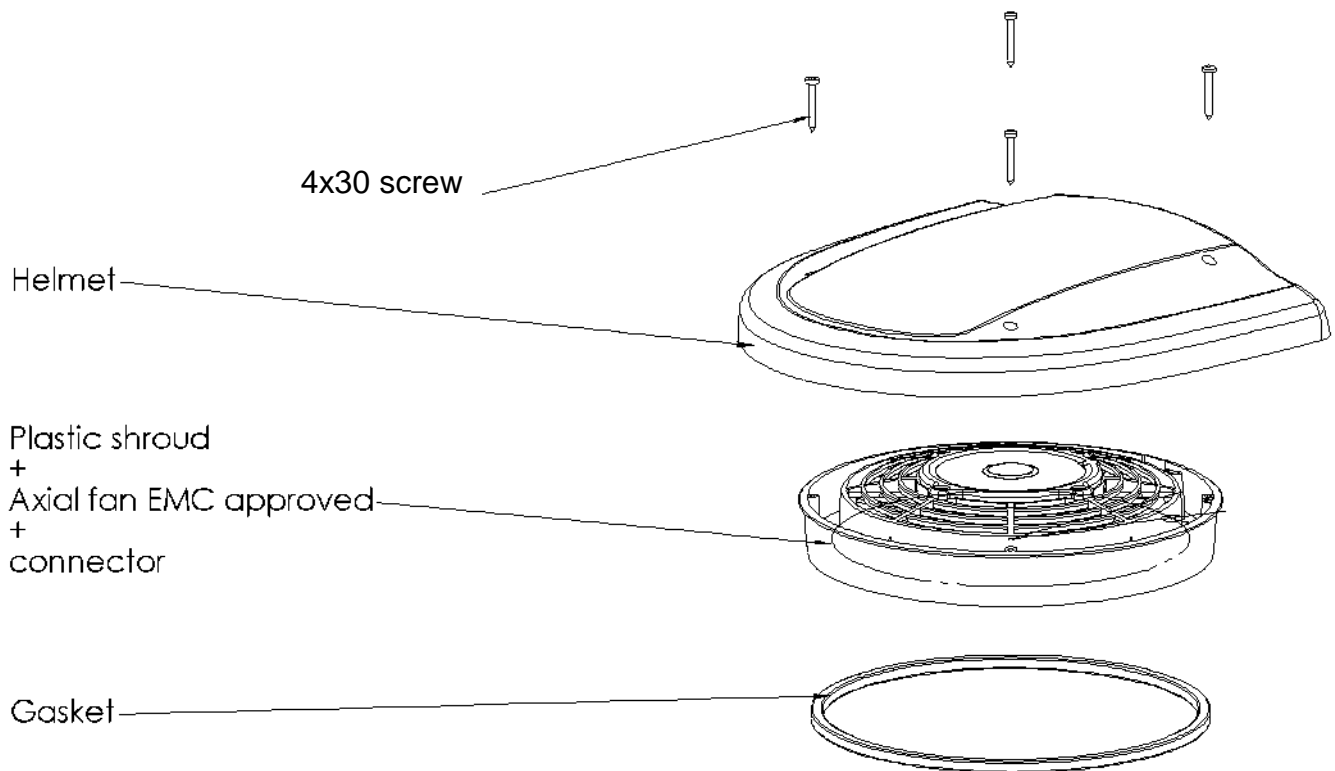
www.tdj.dk

1 - Device description

A 3003 air vent consists of an axial fan blower, gasket, helmet, and screws kit. Only one speed level is available. Choose air extraction or ventilation by reversing motor rotation.

Versions :

- Helmet colours: White or Black
- Voltage : 12 Volts or 24 Volts



2 - Operation

Axial fan blows air to the outside or inside of vehicle. It depends on the electric connection.

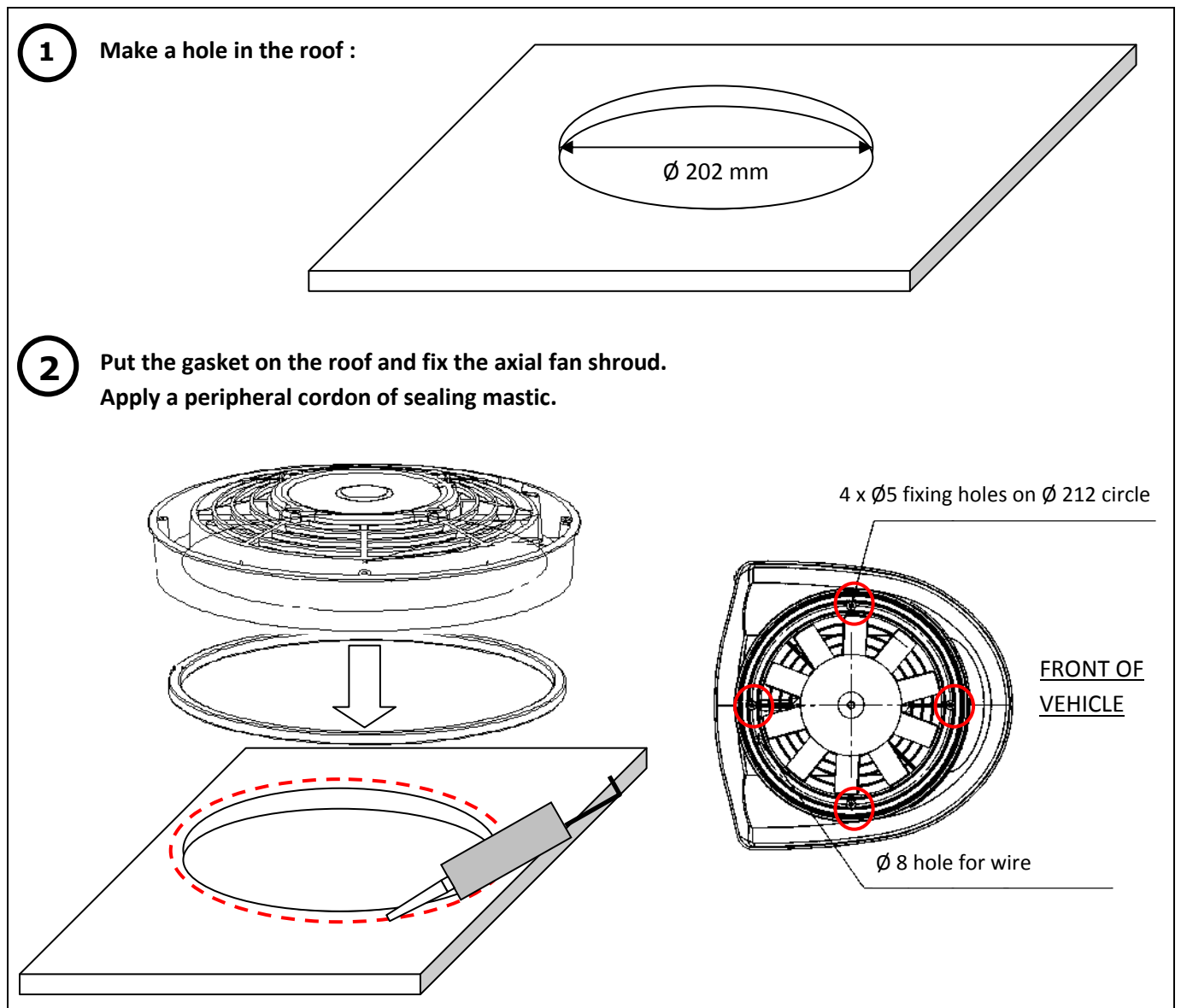
Operating conditions:

The axial fan blower location must be outside of vehicle.

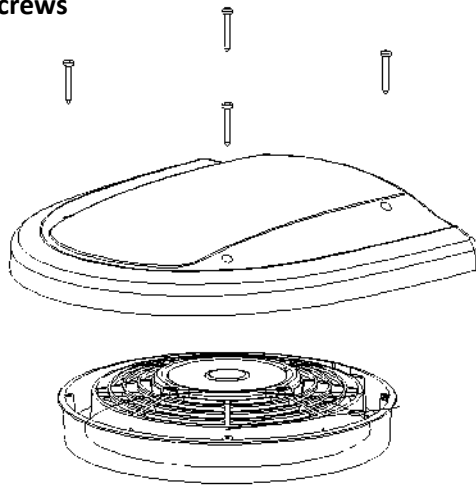
Technical data:

Voltage	Electrical power	Fuse	Weight	Nominal air flow
12 V	51 W	5 A	1,7 kg	700 m ³ /h
24 V	44 W	3 A	1,7 kg	680 m ³ /h

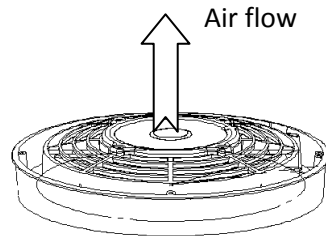
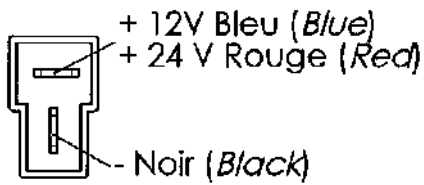
3 - Mounting information



3 Fix the helmet with the 4 supplied screws

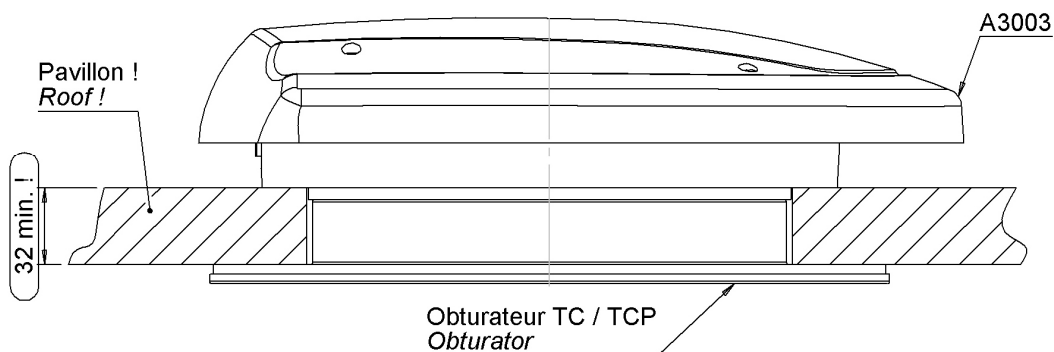
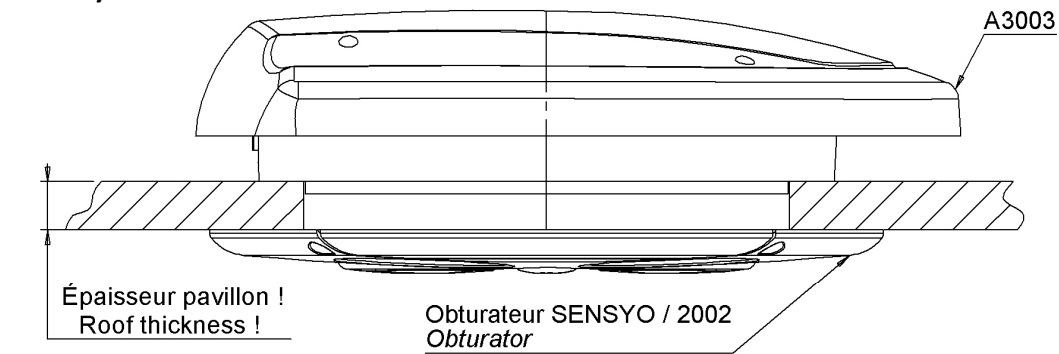


4 Connect the electric wire



Suitable fuse :
- 12Volts : 7,5A
- 24 volts : 3A

Assembly with obturator :



⚠ : Fixer avec des vis adaptées à l'épaisseur du pavillon et utiliser une entretoise si nécessaire.
To fixe with screws in accordance with roof thickness and use spacer if necessary.

4 - Trouble shooting

Fault found	Possible cause	Action to take
Blower not working	Fuse defective	Check fuse position and amperage. If necessary replace it. Before renew a fuse, always identify causes.
		Examine blowers for a blockage or another type of defect and rectify the cause.
	No vehicle power	Switch on ignition and/or main battery switch.
		Check battery connections.
		Check vehicle operating instructions for possible advice.
	Connecting cable damaged or torn out	Replace cable.
Blockage in fan unit	Rectify cause of blockage, e.g. object in impeller. If necessary order new unit.	
Blower motor defective	Replace with a new one.	
Wrong air flow direction	Electric connection reversed	Change the electric connection



Products which have already been pulling appart are not covered by guaratee.

5 - Security advice

Consider the following advice for your own safety:

- Installation must only be done by well-formed and authorized specialists.
- Product must operate on a well-ventilated place.
- Products have to be used only according to the intended use. Products shall not used in improper environment. Pay attention to guarantee.
 - Before using products, ensure that regulations and laws are strictly adhered according to the country.
 - For security reasons (fire hazards), fuses with suitable amperage must be used to protect electrical connections.
 - Cut electrical connections before working on product.
 - Do not grip into the unit and do not put objects inside.
 - Fans must be protected with fan guard or air diffuser